

46 TNT

齒式鋼殼二爪夾頭
2-JAW STEEL BODY CHUCKS



48 TKT

可調式強力型
二爪鋼殼夾頭
3-JAW A1(A2) TYPE CHUCKS



46 NT

齒式鋼殼三爪夾頭
3-JAW STEEL BODY CHUCKS



48 KT

可調式強力型
三爪鋼殼夾頭
4-JAW POWERFUL
TYPE SCROLL
CHUCKS



47 CT

可調式普通型
三爪鋼殼夾頭
3-JAW
ADJUSTMENT
STEEL BODY
SCROLL CHUCKS



49 FKT

可調式強力型
四爪鋼殼夾頭
3-JAW D1 TYPE
CHUCKS



47 FCT

可調式普通型
四爪鋼殼夾頭
4-JAW
ADJUSTMENT
STEEL BODY
SCROLL CHUCKS



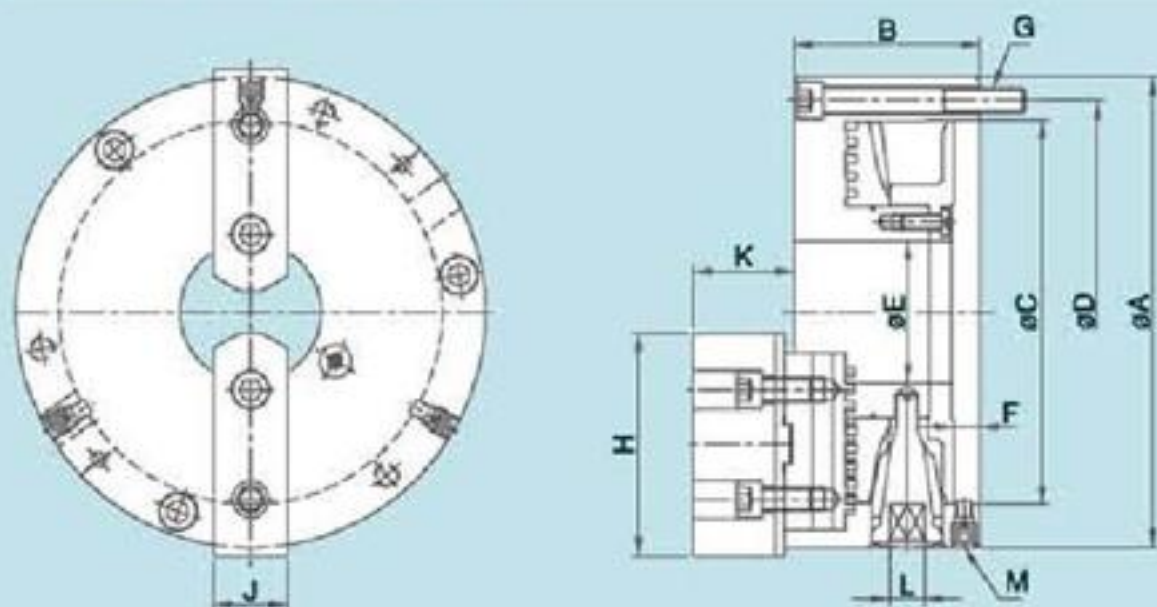
TKT

2-JAW POWERFUL TYPE ADJUSTMENT STEEL BODY CHUCKS

泉發車刀礦油公司 網頁專用

可調式強力型二爪鋼殼夾頭

尺寸圖 > Dimensions



規格表 > Specifications

單位/UNIT:mm

型式/規格 MODEL /SPEC.	A	B	C	D	E	F	G	H	J	K	L	M	最高迴轉速 Max.Speed r.p.m.(min ⁻¹)	把握範圍 Max. Gripping Diameter		淨重 Weight (kg)
														外徑把握 O.D.Clamping	內徑把握 I.D.Clamping	
TKT-07	193	85	155	172	58	12	3-M10x1.5P	95	31	49.5	11	3-M12x1.75P	3500	ø10~ø180	ø70~ø170	14.6
TKT-09	233	92	190	210	70	12.5	3-M12x1.75P	110	37	50	12	3-M12x1.75P	2900	ø12~ø220	ø80~ø210	22.4

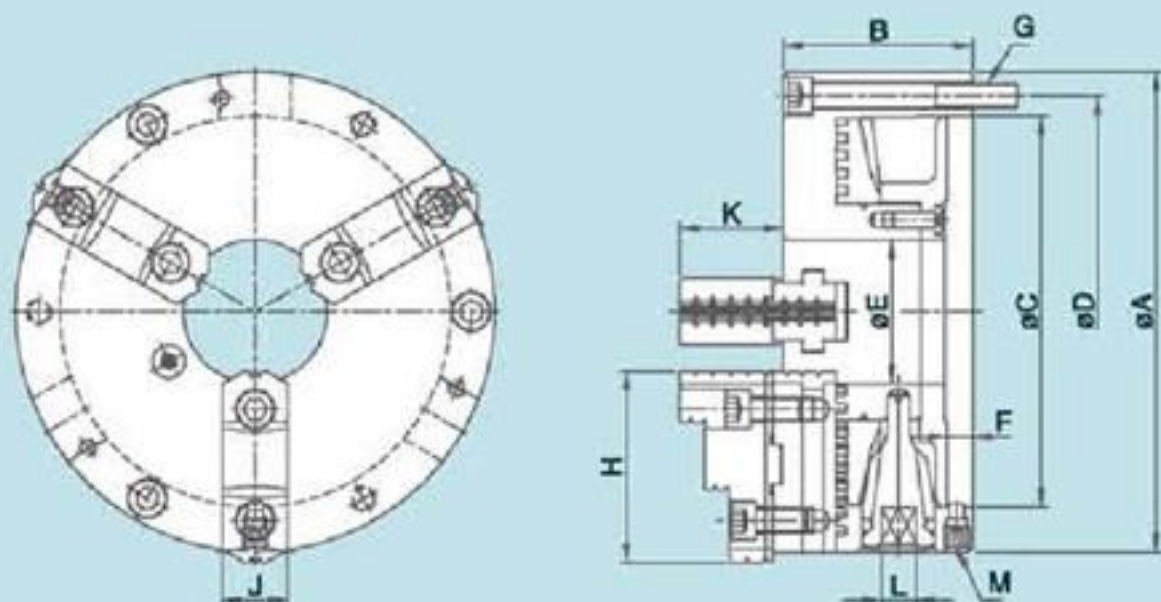
KT

3-JAW POWERFUL TYPE ADJUSTMENT STEEL BODY CHUCKS

泉發車刀礦油公司 網頁專用

可調式強力型三爪鋼殼夾頭

尺寸圖 > Dimensions



規格表 > Specifications

單位/UNIT:mm

型式/規格 MODEL /SPEC.	A	B	C	D	E	F	G	H	J	K	L	M	最高迴轉速 Max.Speed r.p.m.(min ⁻¹)	把握範圍 Max. Gripping Diameter		淨重 Weight (kg)
														外徑把握 O.D.Clamping	內徑把握 I.D.Clamping	
KT-06	167	75.5	130	147	45	12	3-M10x1.5P	68	26	39	10	3-M12x1.75P	4000	ø8~ø160	ø55~ø150	9.7
KT-07	193	85	155	172	58	12	3-M10x1.5P	82	28	43	11	3-M12x1.75P	3500	ø8~ø180	ø62~ø170	13.6
KT-09	233	92	190	210	70	12.5	3-M12x1.75P	93	32	51	12	3-M12x1.75P	2900	ø11~ø220	ø70~ø210	21.5
KT-10	275	98	230	250	89	12.5	3-M12x1.75P	102	35	54	12	3-M12x1.75P	2500	ø12~ø260	ø80~ø250	30.4
KT-12	310	111	260	285	105	14	3-M12x1.75P	118	40	58	14	3-M12x1.75P	2200	ø15~ø300	ø90~ø290	45.4

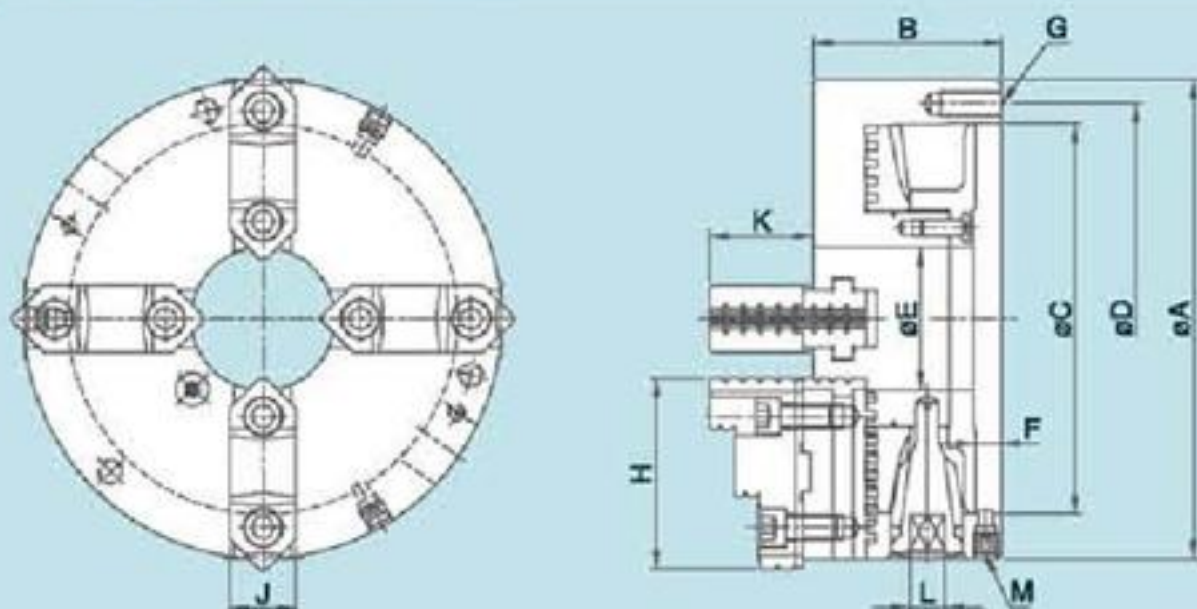
FKT

4-JAW POWERFUL TYPE ADJUSTMENT STEEL BODY CHUCKS

泉發車刀礦油公司 網頁專用

可調式強力型四爪鋼殼夾頭

尺寸圖 > Dimensions



規格表 > Specifications

單位/UNIT:mm

型式/規格 MODEL /SPEC.	A	B	C	D	E	F	G	H	J	K	L	M	最高迴轉速 Max.Speed r.p.m.(min ⁻¹)	把握範圍 Max. Gripping Diameter		淨重 Weight (kg)
														外徑把握 O.D.Clamping	內徑把握 I.D.Clamping	
FKT-07	193	85	155	172	58	12	3-M10x1.5P	82	28	43	11	3-M12x1.75P	3500	ø8~ø180	ø62~ø170	14.1
FKT-09	233	92	190	210	70	12.5	3-M12x1.75P	93	32	51	12	3-M12x1.75P	2900	ø11~ø220	ø70~ø210	22
FKT-10	275	98	230	250	89	12.5	3-M12x1.75P	102	35	54	12	3-M12x1.75P	2500	ø12~ø260	ø80~ø250	33.5
FKT-12	310	111	260	285	105	14	3-M12x1.75P	118	40	58	14	3-M12x1.75P	2200	ø15~ø300	ø90~ø290	46.1

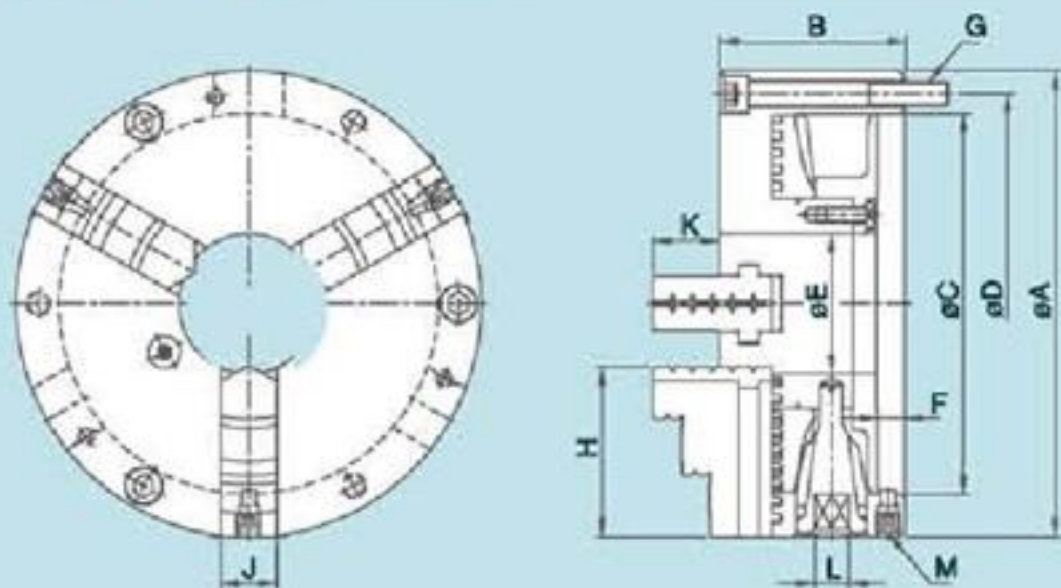
CT

3-JAW ADJUSTMENT STEEL BODY SCROLL CHUCKS

泉發車刀礦油公司 網頁專用

可調式普通型三爪鋼殼夾頭

尺寸圖 > Dimensions



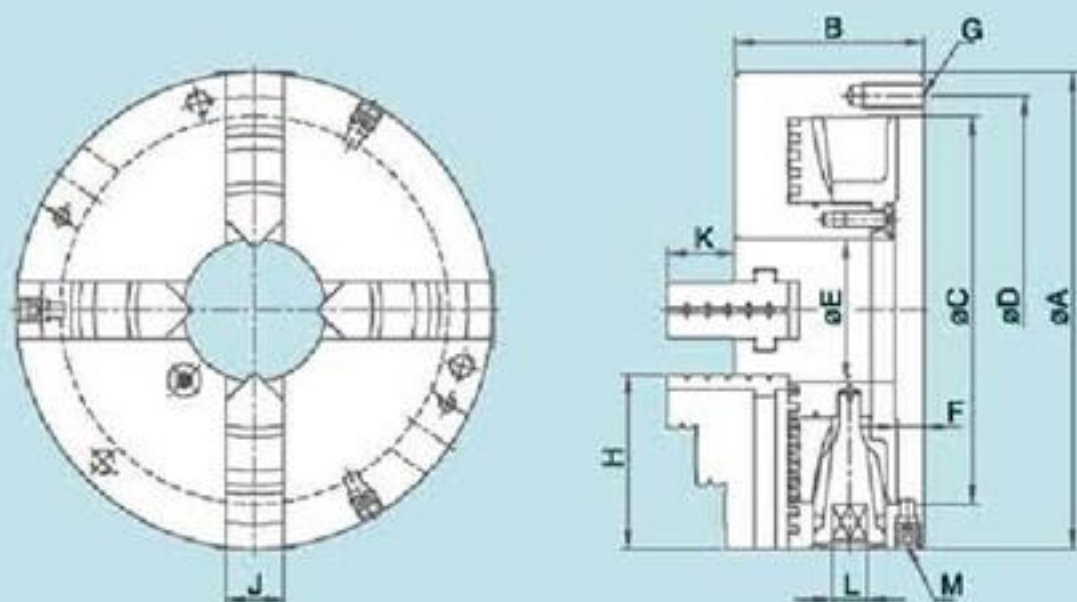
規格表 > Specifications

單位/UNIT:mm

型式/規格 MODEL / SPEC.	A	B	C	D	E	F	G	H	J	K	L	M	最高迴轉速 Max.Speed r.p.m.(min ⁻¹)	把握範圍 Max. Gripping Diameter		淨重 Weight (kg)
														外徑把握 O.D.Clamping	內徑把握 I.D.Clamping	
CT-06	167	75.5	130	147	45	12	3-M10x1.5P	65	22	28	10	3-M12x1.75P	4000	ø4~ø160	ø48~ø150	10.4
CT-07	193	85	155	172	58	12	3-M10x1.5P	75	24	28.5	11	3-M12x1.75P	3500	ø4~ø180	ø56~ø170	12.9
CT-09	233	92	190	210	70	12.5	3-M12x1.75P	85	28	33	12	3-M12x1.75P	2900	ø5~ø220	ø62~ø210	20.4
CT-10	275	98	230	250	89	12.5	3-M12x1.75P	98	30	38	12	3-M12x1.75P	2500	ø6~ø260	ø70~ø250	29.3
CT-12	310	111	260	285	105	14	3-M12x1.75P	110	32	45	14	3-M12x1.75P	2200	ø10~ø300	ø86~ø290	43.7

可調式普通型四爪鋼殼夾頭

尺寸圖 > Dimensions



規格表 > Specifications

單位/UNIT:mm

型式/規格 MODEL / SPEC.	A	B	C	D	E	F	G	H	J	K	L	M	最高迴轉速 Max.Speed r.p.m.(min ⁻¹)	把握範圍 Max. Gripping Diameter		淨重 Weight (kg)
														外徑把握 O.D.Clamping	內徑把握 I.D.Clamping	
FCT-07	193	85	155	172	58	12	3-M10x1.5P	75	24	28.5	11	3-M12x1.75P	3500	ø4~ø180	ø56~ø170	13.2
FCT-09	233	92	190	210	70	12.5	3-M12x1.75P	85	28	33	12	3-M12x1.75P	2900	ø5~ø220	ø62~ø210	20.7
FCT-10	275	98	230	250	89	12.5	3-M12x1.75P	98	30	38	12	3-M12x1.75P	2500	ø6~ø260	ø70~ø250	29.8
FCT-12	310	111	260	285	105	14	3-M12x1.75P	110	32	45	14	3-M12x1.75P	2200	ø10~ø300	ø86~ø290	44.4

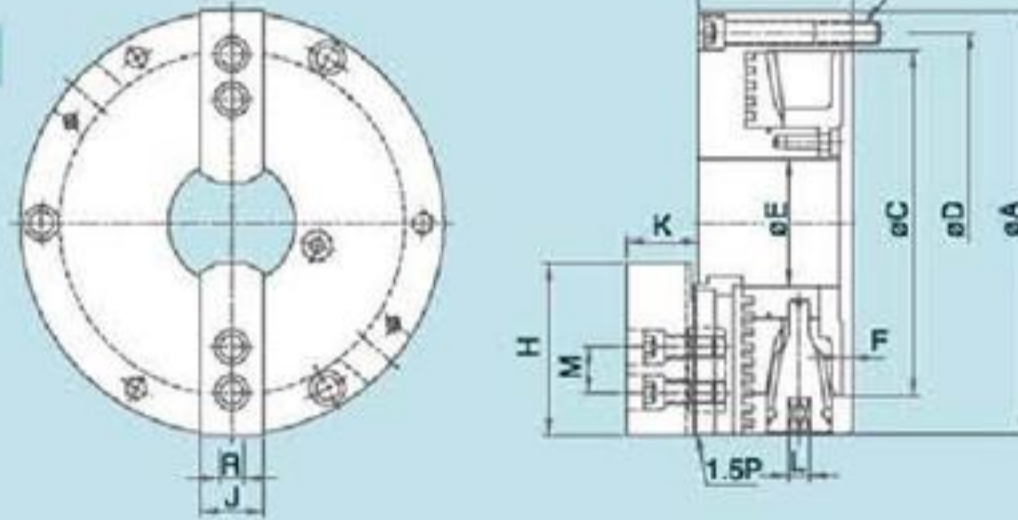
TNT 2-JAW STEEL BODY CHUCKS

齒式二爪鋼殼夾頭

新產品
NEW

1. 可替代修整油壓生爪成型盤。
2. 爪仔可前後任意調整，加大夾持工件範圍。
3. 生爪及硬爪與CNC車床油壓爪共用。
4. 鋼殼結構於高速迴轉時安全性高，耐磨性強，使用壽命長。
5. 轉動扳手扭力較小操作順暢。

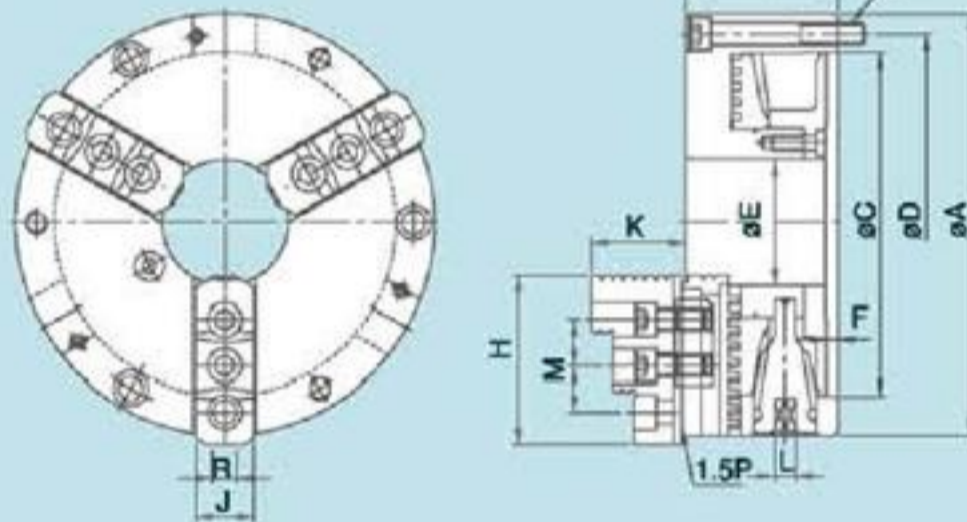
尺寸圖 > Dimensions



NT 3-JAW STEEL BODY CHUCKS

齒式三爪鋼殼夾頭

尺寸圖 > Dimensions



1. Can be used as a "Forming plate" for machining soft jaws.
2. Hard jaws and soft jaws can be adjusted just like on a power Chuck to increase the gripping range.
3. Hard jaws as well as Soft jaws are interchangeable with those of power chucks.
4. Chuck Body is made of steel to enhance safety operations for high speed machining.
5. The Chuck Handle can be operated easily and smoothly.

特點配合圖示說明 > Illustrate



可替代修整油壓生爪成型盤

The chuck can be used as a "Forming plate" for machining soft jaws.



爪仔可前後任意調整加大夾持工件範圍

Top jaws can be adjusted back and forth easily, thus increasing gripping range.



硬爪與油壓夾盤硬爪共用

Hard jaws are interchangeable with those of power chucks.



生爪與油壓夾盤生爪共用

Soft jaws are interchangeable with those of power chucks.

特別附件



連結盤

Optional accessory: Mounting plate.

規格表 > Specifications

單位/UNIT:mm

型式/規格 MODEL / SPEC.	A	B	C	D	E	F	G	H	J	K	L	M	R	最高轉速 Max. Speed r.p.m.(min ⁻¹)	把握範圍 Max.Gripping Diameter		淨重 Weight (kg)
															外徑把握 O.D.Clamping (mm)	內徑把握 I.D.Clamping (mm)	
TNT-07	193	78	155	172	58	5	3-M10x1.5P	73	31	38	11	20	12	3200	ø8~ø235	ø66~ø235	14.4
TNT-09	233	85	190	210	70	5.5	3-M12x1.75P	95	35	40	12	25	14	2800	ø11~ø280	ø85~ø280	22.3

規格表 > Specifications

NT-07	193	78	155	172	58	5	3-M10x1.5P	78	28	46	11	20	12	3200	ø8~ø235	ø66~ø235	13.1
NT-09	233	85	190	210	70	5.5	3-M12x1.75P	92	32	52	12	25	14	2800	ø11~ø280	ø85~ø280	21.2
NT-10	275	91	230	250	89	5.5	3-M12x1.75P	101.5	37	56	12	30	16	2400	ø12~ø330	ø92~ø330	30.5
NT-12	310	104	260	285	105	7	3-M12x1.75P	116	47	67	14	30	21	2100	ø15~ø370	ø104~ø370	46.1

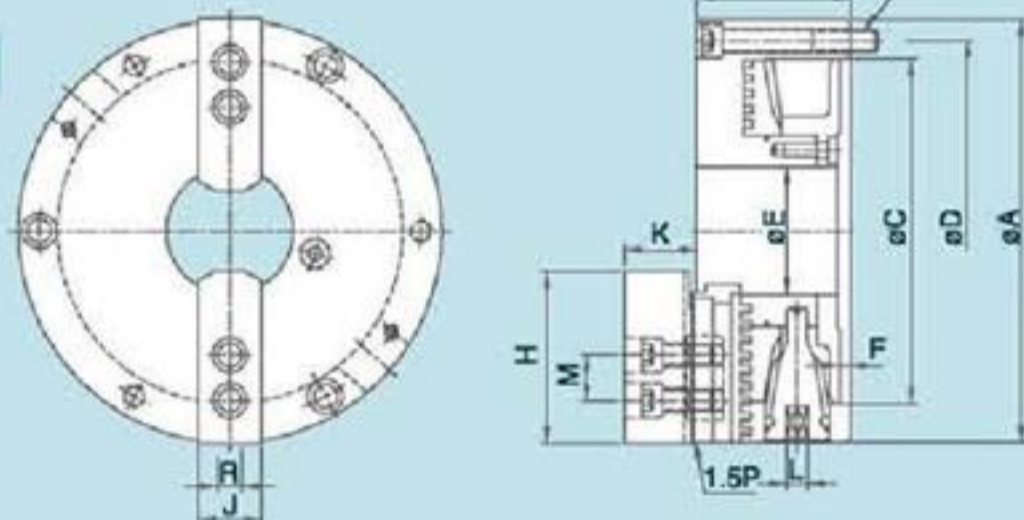
TNT 2-JAW STEEL BODY CHUCKS

齒式二爪鋼殼夾頭

新產品
NEW

1. 可替代修整油壓生爪成型盤。
2. 爪仔可前後任意調整，加大夾持工件範圍。
3. 生爪及硬爪與CNC車床油壓爪共用。
4. 鋼殼結構於高速迴轉時安全性高，耐磨性強，使用壽命長。
5. 轉動扳手扭力較小操作順暢。

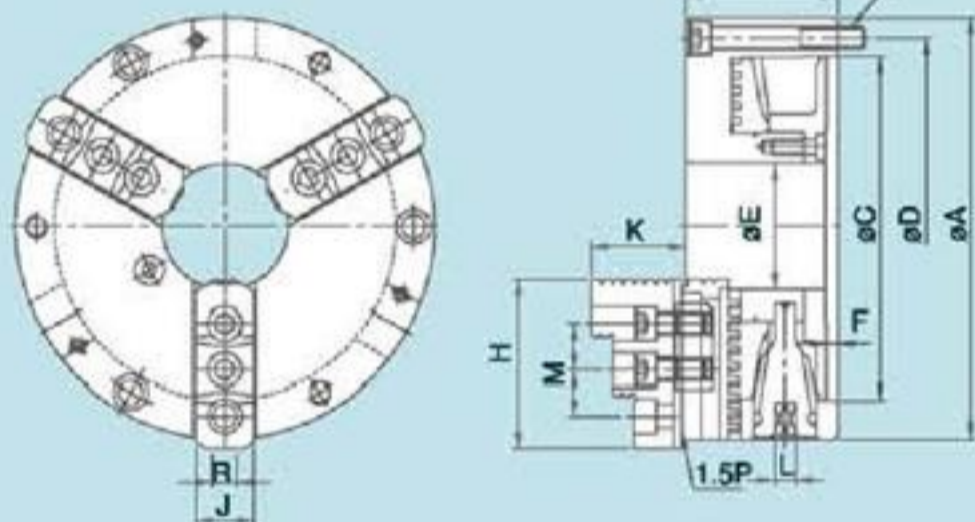
尺寸圖 > Dimensions



NT 3-JAW STEEL BODY CHUCKS

齒式三爪鋼殼夾頭

尺寸圖 > Dimensions



1. Can be used as a "Forming plate" for machining soft jaws.
2. Hard jaws and soft jaws can be adjusted just like on a power Chuck to increase the gripping range.
3. Hard jaws as well as Soft jaws are interchangeable with those of power chucks.
4. Chuck Body is made of steel to enhance safety operations for high speed machining.
5. The Chuck Handle can be operated easily and smoothly.

特點配合圖示說明 > Illustrate



可替代修整油壓生爪成型盤

The chuck can be used as a "Forming plate" for machining soft jaws.



爪仔可前後任意調整加大夾持工件範圍

Top jaws can be adjusted back and forth easily, thus increasing gripping range.



硬爪與油壓夾盤硬爪共用

Hard jaws are interchangeable with those of power chucks.



生爪與油壓夾盤生爪共用

Soft jaws are interchangeable with those of power chucks.

特別附件



Optional accessory: Mounting plate.

規格表 > Specifications

單位/UNIT:mm

型式/規格 MODEL / SPEC.	A	B	C	D	E	F	G	H	J	K	L	M	R	最高轉速 Max. Speed r.p.m.(min ⁻¹)	把握範圍 Max.Gripping Diameter		淨重 Weight (kg)
															外徑把握 O.D.Clamping (mm)	內徑把握 I.D.Clamping (mm)	
TNT-07	193	78	155	172	58	5	3-M10x1.5P	73	31	38	11	20	12	3200	ø8~ø235	ø66~ø235	14.4
TNT-09	233	85	190	210	70	5.5	3-M12x1.75P	95	35	40	12	25	14	2800	ø11~ø280	ø85~ø280	22.3

規格表 > Specifications

NT-07	193	78	155	172	58	5	3-M10x1.5P	78	28	46	11	20	12	3200	ø8~ø235	ø66~ø235	13.1
NT-09	233	85	190	210	70	5.5	3-M12x1.75P	92	32	52	12	25	14	2800	ø11~ø280	ø85~ø280	21.2
NT-10	275	91	230	250	89	5.5	3-M12x1.75P	101.5	37	56	12	30	16	2400	ø12~ø330	ø92~ø330	30.5
NT-12	310	104	260	285	105	7	3-M12x1.75P	116	47	67	14	30	21	2100	ø15~ø370	ø104~ø370	46.1