

# 超薄夾盤系列 SUPER THIN CHUCKS SERIES

泉發車刀礦油公司 網頁專用

**43 NBK**

強力超薄型夾盤

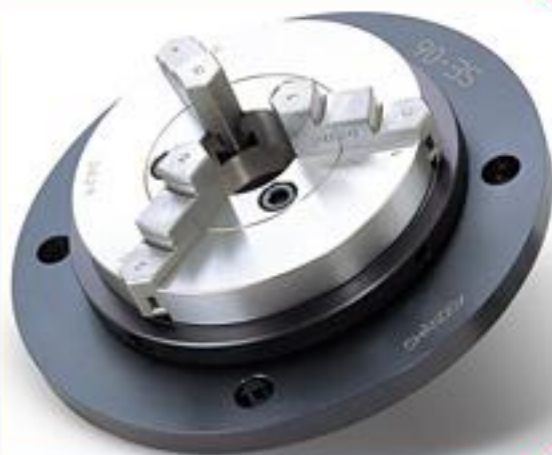
POWERFUL TYPE  
SUPER THIN  
CHUCKS



**45 SE**

超薄夾盤

SUPER THIN  
CHUCKS



**44 MC**

方型超薄夾盤

SUPER THIN  
SQUARE CHUCKS



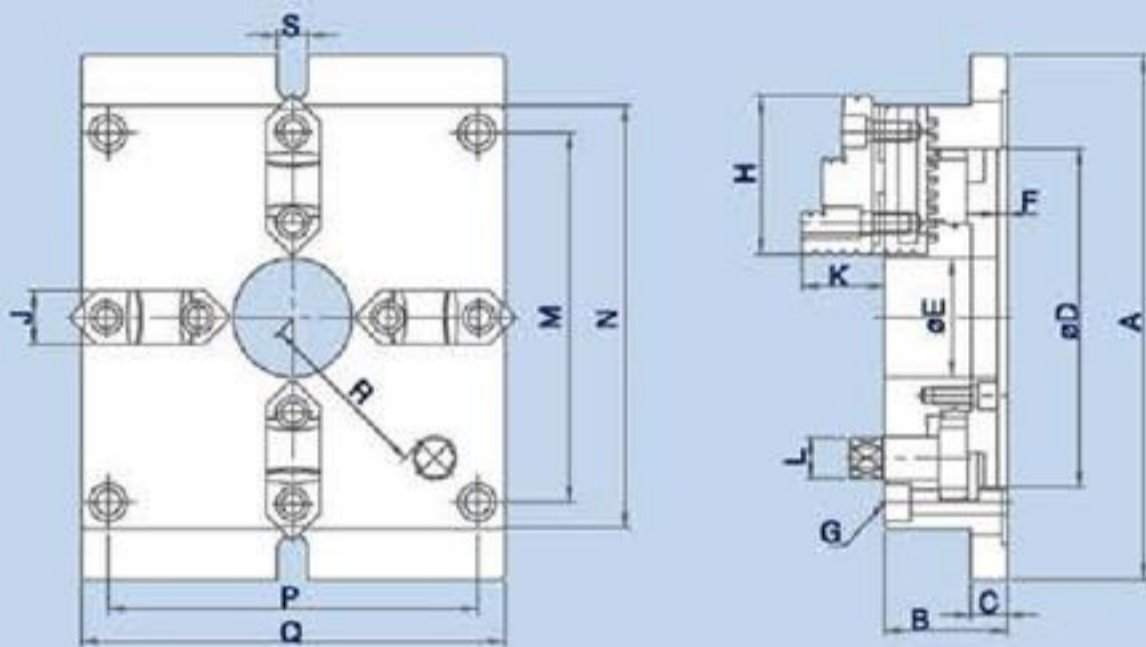
## 方型超薄夾盤

專利產品  
Patent Protected

1. MC 均為定寸研磨方式：任何相同規格之方型夾盤 W,X,Y,Z 各點之高度公差為0.05mm以內。
2. MC規格均可替換生爪，作不規則形狀之加工，以替代中心機大量治具，更經濟、方便。
3. 硬爪重複夾持之精度公差為0.02mm 以內。
4. 側邊平行校正後，硬爪夾持之平行公差為0.05mm以內。

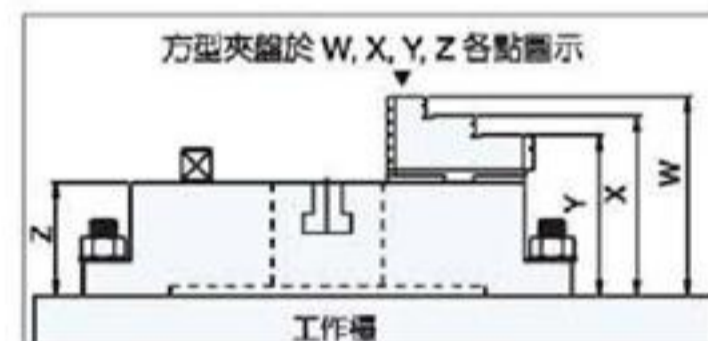


### 尺寸圖 » Dimensions



1. MC chucks are precisely ground, the tolerances of W,X,Y,Z among chucks are within 0.05mm.
2. Soft jaws can be used alternatively for machining special shaped work pieces, to substitute for designing and making a lot of jigs for this purpose.
3. The repetitive gripping accuracy with the hard jaws are within 0.02mm.
4. Parallel gripping accuracy with hard jaws can be controlled within 0.05mm after aligning sides of chucks.

### 使用範例 » Operation Example



### 規格表 » Specifications

單位/UNIT:mm

型式/規格 MODEL / SPEC.	A	B	C	D	E	F	G	H	J	K	L	M
MC-06	215	57	18	130	40	5.5	4-M10x1.5P	68	26	39	14	144
MC-08	250	65	20	160	55	6	4-M12x1.75P	82	28	43	17	174
MC-10	310	72	22	200	70	6	4-M14x2P	93	32	50	21	218
MC-12	380	85	25	260	100	7	4-M16x2P	118	40	56	23	274

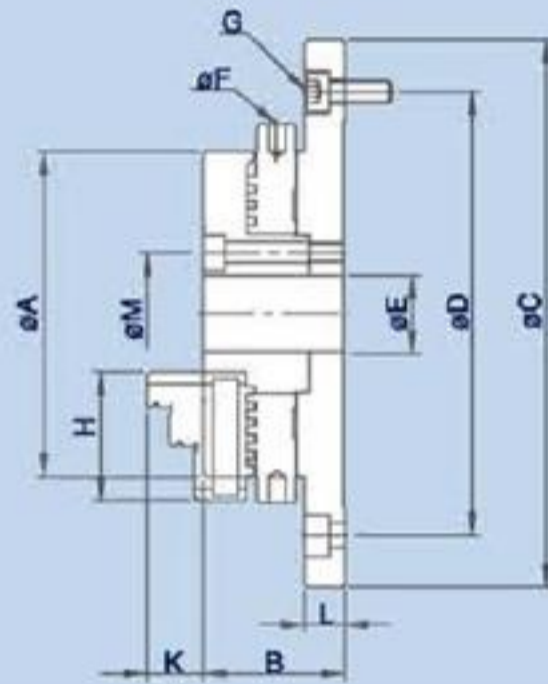
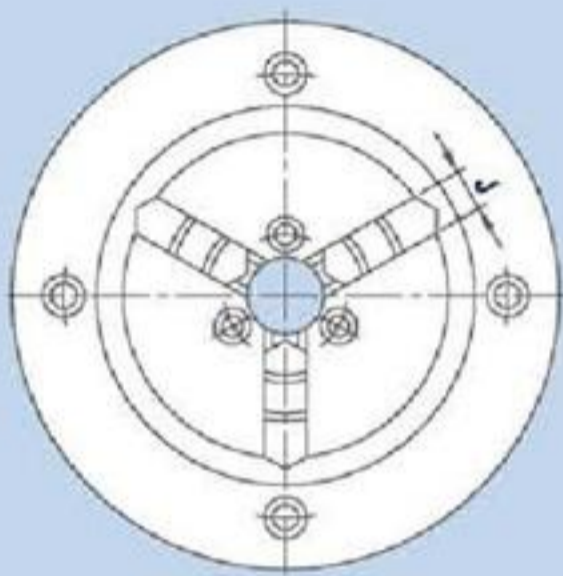
型式/規格 MODEL / SPEC.	N	P	Q	R	S	把握範圍 Max.Gripping Diameter		淨重 Weight (kg)
						外徑把握 O.D.Clamping (mm)	內徑把握 I.D.Clamping (mm)	
MC-06	165	144	165	66	18	ø4-ø128	ø55-ø128	11.4
MC-08	200	174	200	83	18	ø5-ø162	ø62-ø162	18.6
MC-10	250	218	250	104	18	ø6-ø200	ø72-ø200	31.6
MC-12	310	274	310	135	22	ø10-ø265	ø90-ø265	56.6

## 超薄型夾盤

新產品  
**NEW**

1. 輕、薄、短小的設計，適用於工件量測夾持。
2. 直接轉動旋盤，免於使用扳手旋轉干涉。
3. 鋼製本體，耐用性甚佳。
4. 夾爪正反夾持兩用設計，操作方便。
5. 2"最小工件夾持0.8mm。

### 尺寸圖 > Dimensions



1. By the compactness comes from " Light, Thin, Short, Small " designing concept; the chucks are most fitting to hold work pieces for measuring.
2. Just rotate the chuck knob directly for gripping and loosening, A handle is not necessary to be used.
3. Chuck body is made of very durable steel.
4. Jaws can be reversibly used; gripping of various sizes becomes much convenient.
5. 2" chucks can even grip up to the smallest size of 0.8mm.

### 規格表 > Specifications

單位/UNIT:mm

型式/規格 MODEL /SPEC.	A	B	C	D	E	F
SE-02	63	28	118	100	16	4
SE-03	85	37	143	116	20	4
SE-04	110	39	168	140	26	5
SE-05	130	45	202	168	32	6
SE-06	160	52	248	208	50	8

型式/規格 MODEL /SPEC.	G	H	J	K	L
SE-02	4-M5x0.8P	27	8	13	8
SE-03	4-M6x1P	35	11	15	10.5
SE-04	4-M6x1P	42	14	19	10
SE-05	4-M8x1.25P	50	16	21	11.5
SE-06	4-M10x1.5P	65	19	26	15

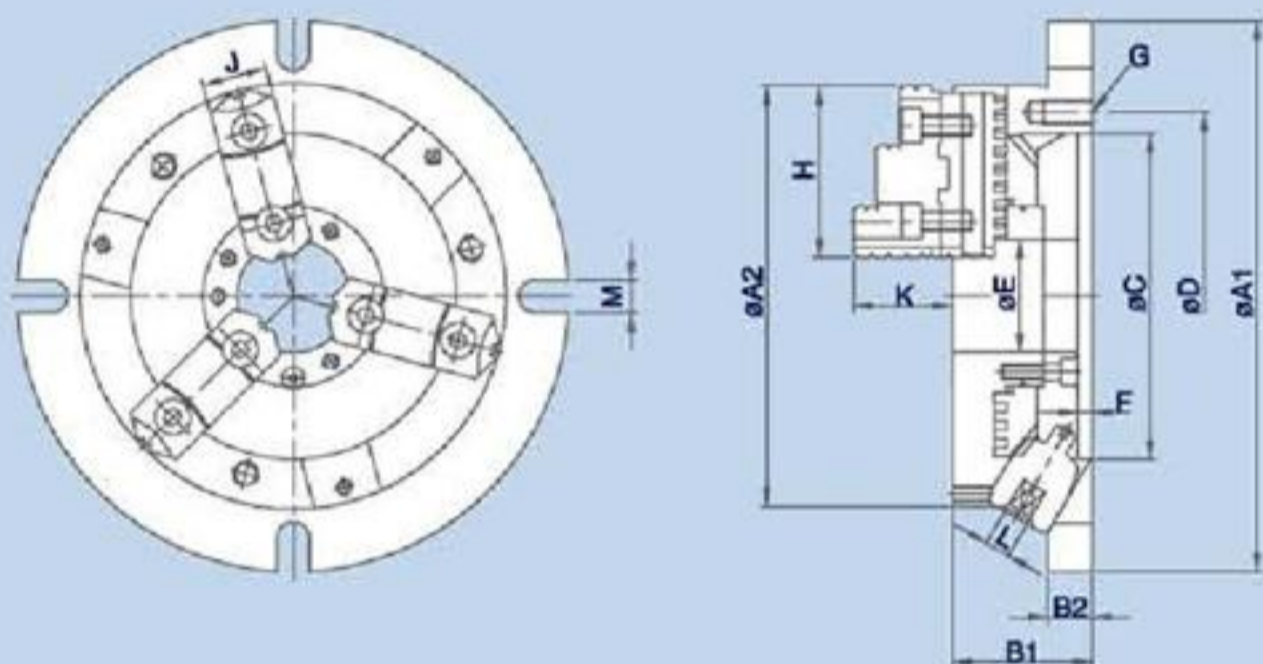
型式/規格 MODEL /SPEC.	M	把握範圍 Max.Gripping Diameter		淨重 Weight (kg)
		外徑把握 O.D.Clamping (mm)	內徑把握 I.D.Clamping (mm)	
SE-02	26	ø0.8~ø63	ø23~ø58	1.2
SE-03	32	ø1~ø81	ø31~ø70	2.9
SE-04	40	ø1~ø100	ø36~ø90	4.3
SE-05	49	ø1.5~ø116	ø43~ø106	6.2
SE-06	70	ø1.5~ø160	ø52~ø148	11.1

## 強力超薄型夾盤

1. 把手和盤面成30°角，旋轉操作更便利。
2. 薄型設計，可增加機械加工之容許長度。
3. 外徑成凸緣設計，裝卸容易。
4. 強力型設計可共用生爪。



### 尺寸圖 > Dimensions



1. The handle with an angle of 30 degrees is much convenient for operations.
2. The "super thin thickness" design of chucks increase the "allowable distance" of machining operations.
3. Chuck flange makes loading and unloading operations simpler and more convenient.
4. Hard jaws and Soft jaws can be used alternatively.

### 規格表 > Specifications

單位/UNIT:mm

型式/規格 MODEL /SPEC.	A1	A2	B1	B2	C	D
NBK-06	220	170	58	18	130	147
NBK-08	270	210	65	20	155	172
NBK-10	315	255	73	20	190	210
NBK-12	370	305	80	22	250	285
型式/規格 MODEL /SPEC.	E	F	G	H	J	K
NBK-06	45	6	3-M10x1.5P	68	26	40
NBK-08	60	6	3-M10x1.5P	82	28	43
NBK-10	80	6	3-M12x1.75P	93	32	52
NBK-12	105	5	3-M12x1.75P	118	40	59
型式/規格 MODEL /SPEC.	L	M	把握範圍 Max.Gripping Diameter		淨重 Weight (kg)	
			外徑把握 O.D.Clamping (mm)	內徑把握 I.D.Clamping (mm)		
NBK-06	10	13	ø8~ø160	ø48~ø150	10.6	
NBK-08	11	13	ø11~ø200	ø62~ø190	18.1	
NBK-10	12	16	ø12~ø250	ø72~ø240	27.9	
NBK-12	14	18	ø15~ø300	ø86~ø290	42.9	